

Calling Card with OpenSIPS b2bua & FreeSWITCH

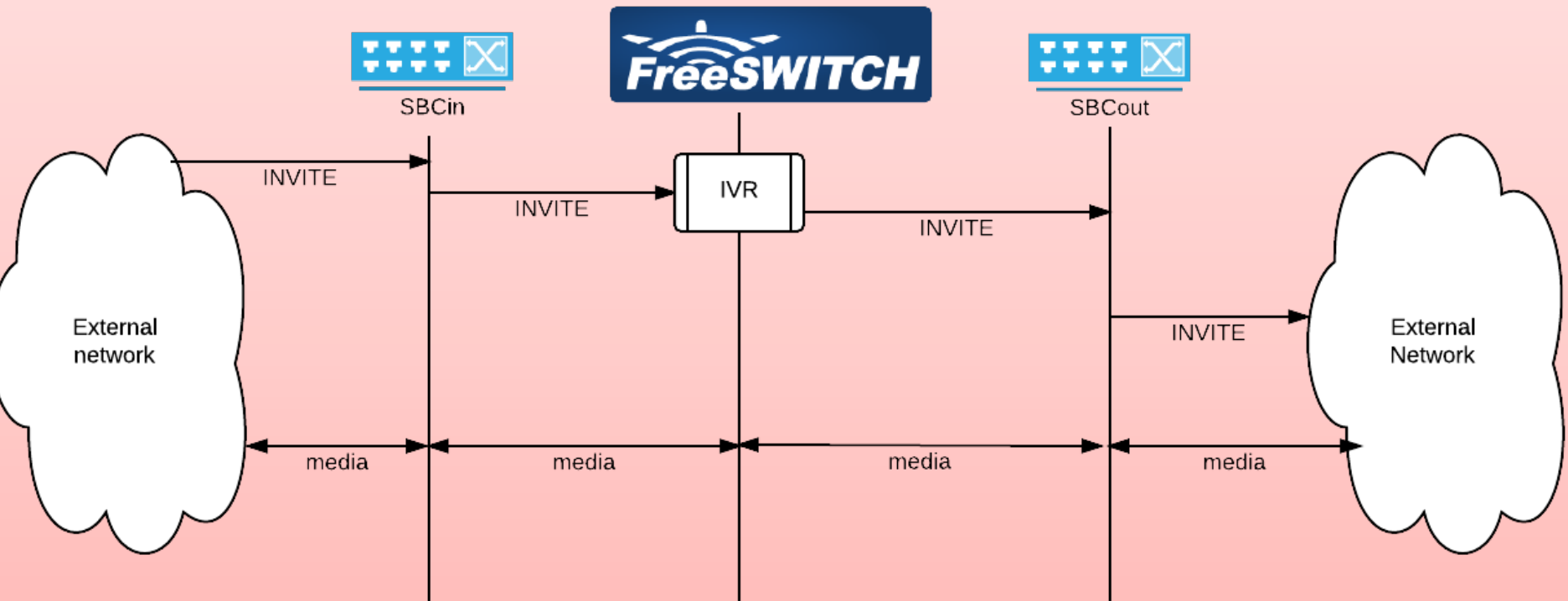
Peter Kelly / pkelly@sourcevox.com

Who we are

- **VoIP and OpenSIPs software development and consultancy**
- **Based in UK**
- **Some of larger customers are**
 - **Localphone**
 - **Retail ITSP offering (VoIP accounts, apps, DIDs in UK, US, Europe, Worldwide)**
 - **Over 1,000,000 users**
 - **Magic Telecom**
 - **US Facilities based CLEC**
 - **Voxbeam**
 - **Wholesale, A-Z Termination, VoIP reseller**
 - **US CLEC**
 - **Terminate ~20,000,000 mins/week internationally**
- **We use**
 - **OpenSIPS**
 - **FreeSWITCH**
 - **RabbitMQ**
 - **Redis**
 - **Hadoop**
 - **Homer**
 - **Sangoma**

Original scenario

- SBCin > FreeSWITCH > SBCout

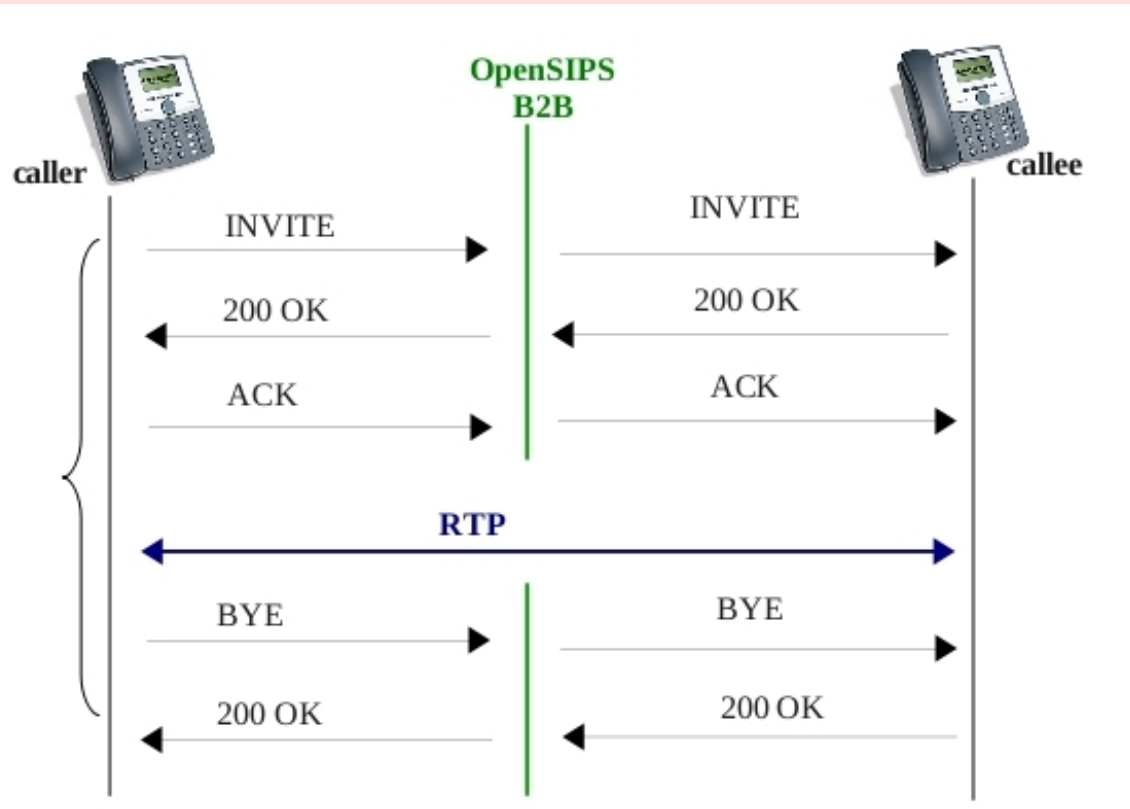


Introduced OpenSIPS b2bua modules

- At its basic level b2bua
 - Is a form of topology hiding
 - Lets OpenSIPS behave like a UAC/UAS
 - Does not touch media!
 - Useful to “clean up” SIP

Simple example

(from <http://www.opensips.org/Documentation/Tutorials-B2BUA>)

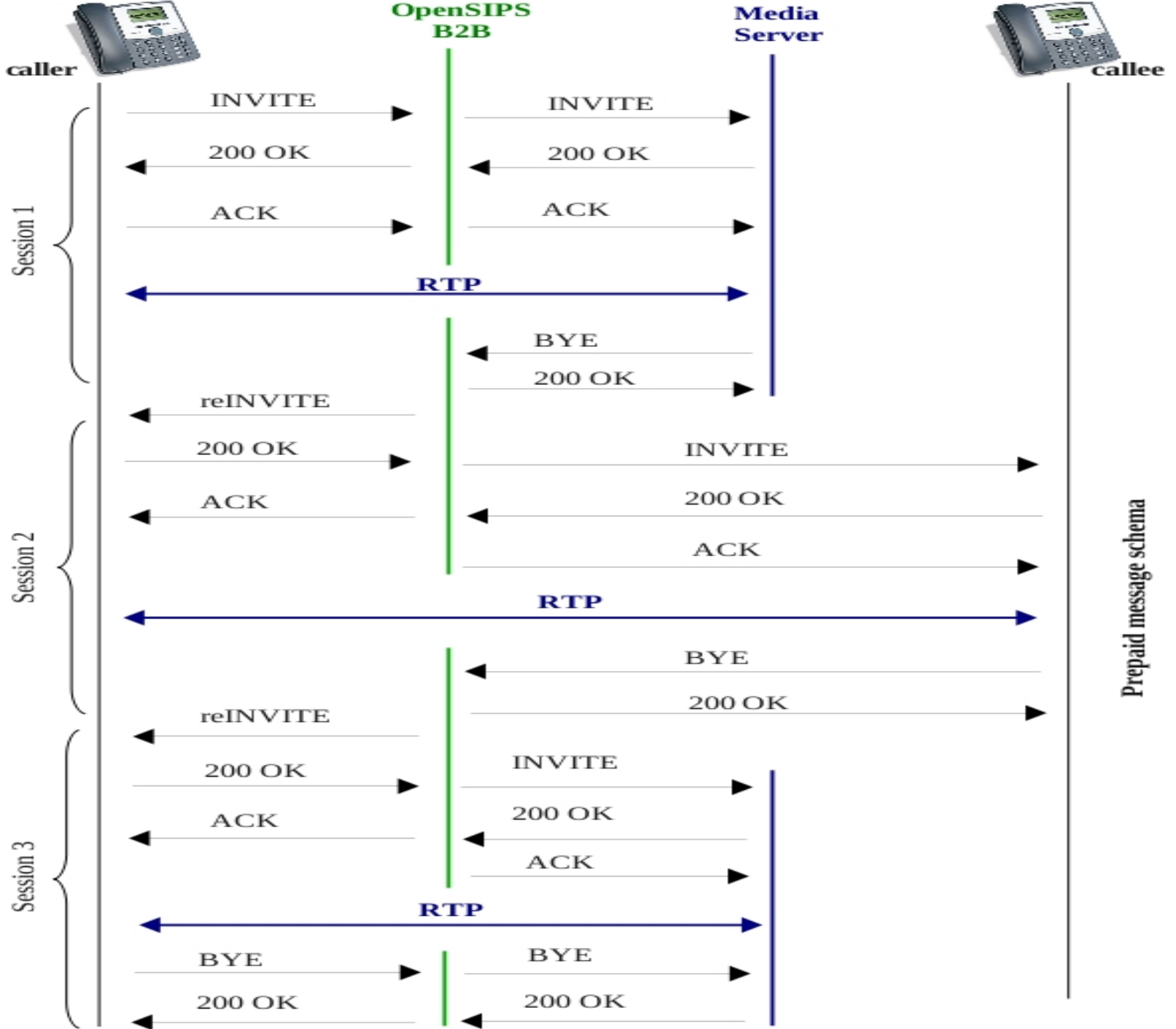


- Caller is calling b2bua
- b2bua is calling callee
- Callee thinks the call is from b2bua
- Media is left untouched.

b2bua + Calling Card?

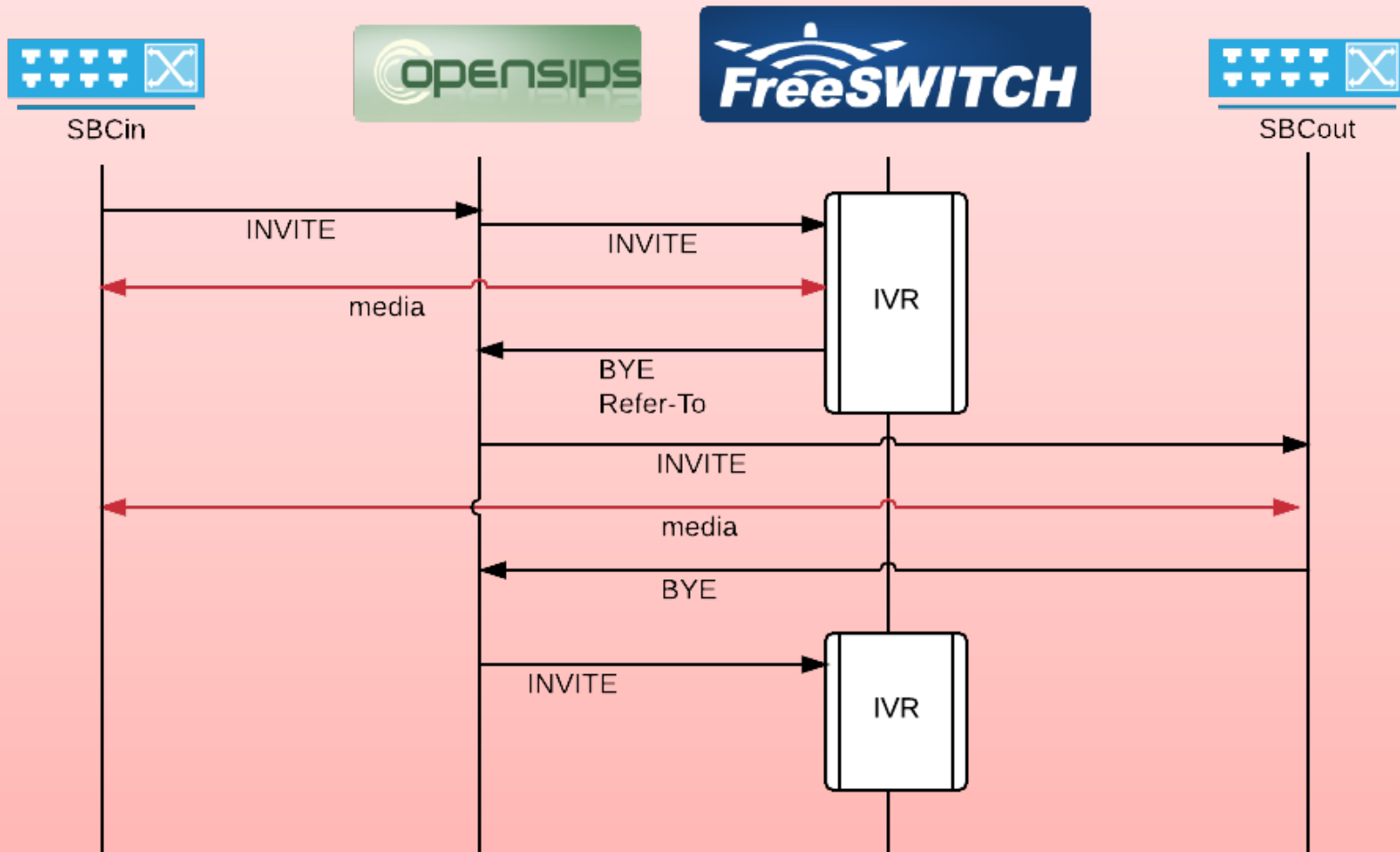
- How can b2bua help calling card?
 - Calling Card goal is to be removed from media path...
 - ...but Calling Card still has to receive call
 - b2bua has some tricks so we can get rid of calling card when finished with it.

(f)



New scenario

- SBCin > OpenSIPS > FreeSWITCH > SBCout



Advantages

- Fewer media hops
- Less demand on media servers
 - Servers only working when doing IVR operations
- More scalable
 - Can add many FreeSWITCH boxes
- Extra tricks like provisional media, control of calls externally

Questions?

pkelly@sourcevox.com

www.sourcevox.com